

BARRICADES & BARRICADE LIGHTS



www.foxcanada.net | sales@foxcanada.net | 1-866-548-8147

A-FRAME BARRICADES

Two Options:
Both great for crowd control
and road closures

OMNI™ A-FRAME BARRICADE



- Versatile, accepts many types of boards
 - Plasticade® I-Beam boards
 - Plasticade® 1" x 8" boards (Type III boards)
 - other plastic boards (I-Beams, thin rails, panels)
 - wood boards
- 20% heavier than Plasticade® A-Frame
 - solid wall design
- Customize nameplate with your name or logo
- Stacking lugs
 - make transportation and storage easy
- Flashing light mounting receptacle on leg
- Use with one board or two
- Sold in sets or as component parts

PLASTICADE® A-FRAME BARRICADE



- Accepts only Plasticade® I-Beam boards
- Molded hollow
 - may be weighed internally with dry sand
- Stacking lugs
 - make transportation and storage easy
- Flashing light mounting receptacle on leg
- Use with one board or two
- Sold in sets or as component parts



I-Beam Board

I-Beam Boards have a unique design that adds to the rigidity of the unit. The recessed area for sheeting helps to protect the sheeting from damage.



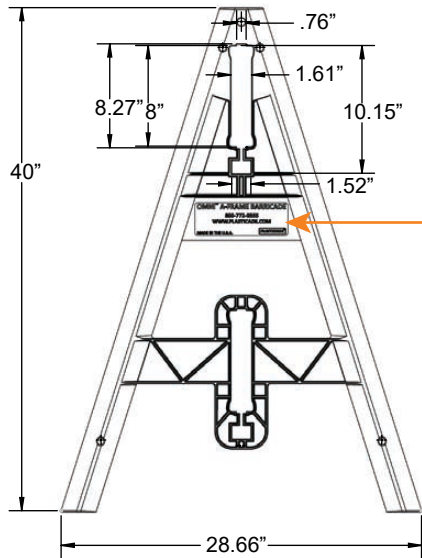
1" x 8" Board

1" x 8" Boards are a hollow core extruded design. Internal walls provide lightweight strength and durability.



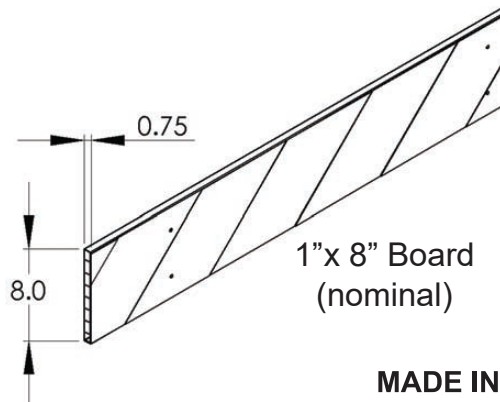
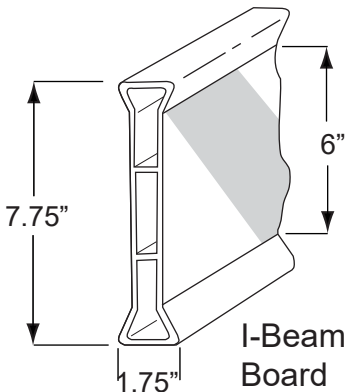
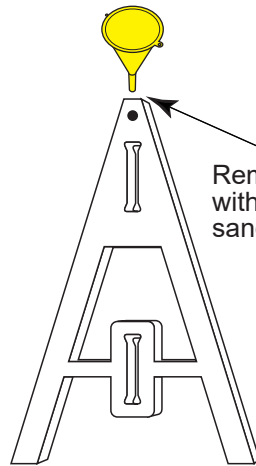
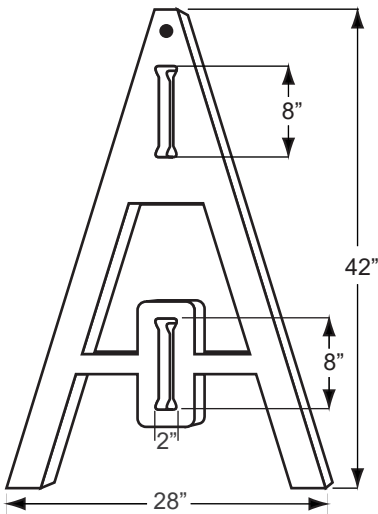
A-FRAME BARRICADES

OMNI™ A-FRAME BARRICADE



Customize the Omni™ A-Frame Leg with molded-in name or logo. Nameplate area is 7.38"W x 2.6"H

PLASTICADE® A-FRAME BARRICADE



MADE IN THE USA

Omni™ Specs

Composition	High Density Polyethylene
Dimensions	40"H x 28.6"W
Color	White, custom colors available
Weight	6 lbs.
Available I-Beam Board Lengths	6' 8' 10'
Available 1" x 8" Board Lengths	4', 6', 8' 10', 12'

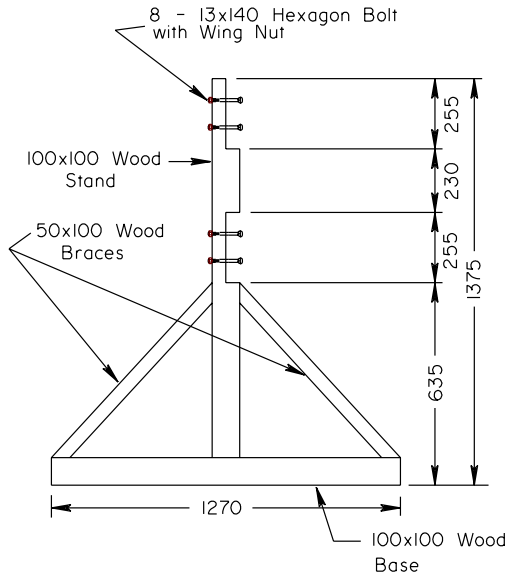
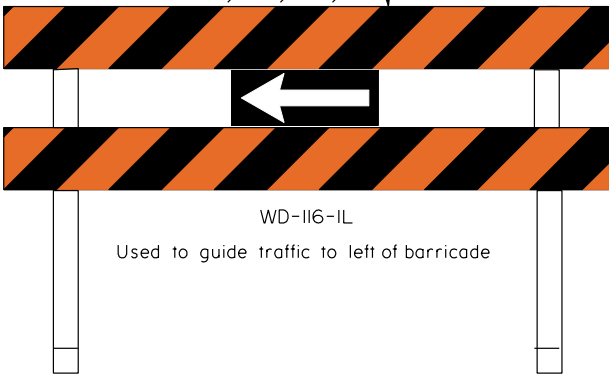
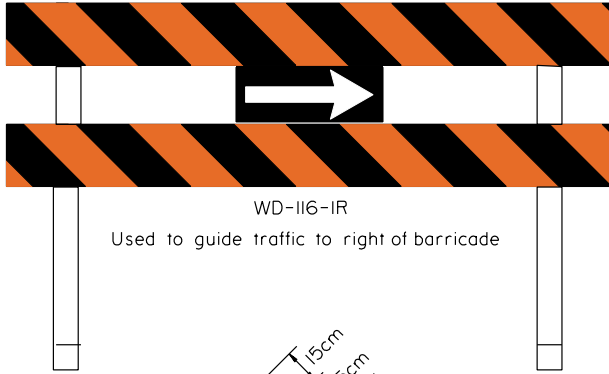
Plasticade® Specs

Composition	High Density Polyethylene
Dimensions	42"H x 28"W
Color	White
Weight	5 lbs.
Available I-Beam Board Lengths	6' 8' 10'



2891 Box Springs Link NW
Medicine Hat, AB T1C 0H3
Bus: (403) 548-8147
Fax: (403) 548-8159
www.foxcanada.net

Barricades

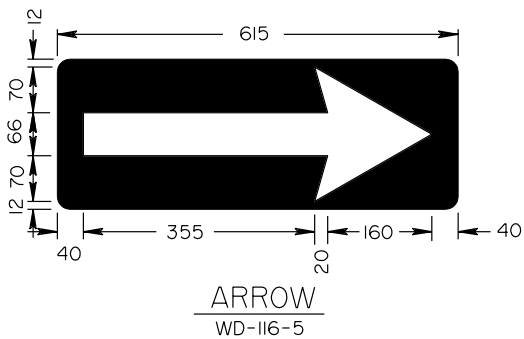


WD-II6-3



WD-II6-2

Bridge Out and Road Closed boards may be used to replace one diagonal stripe board where appropriate. All dimensions are in millimetres unless otherwise indicated.



No.		REVISIONS		BY	DATE
Approved:					
Executive Director, Technical Standards Branch					
Date:		MARCH, 2001			
STANDARD BARRICADE USED FOR CONSTRUCTION PROJECTS					
Prepared By: G.E.C.	Checked By: P.H.	Scale: N.T.S.	Dwg No.: TCS-B-4.2 MISCELLANEOUS		

FILE TCSB4m2.SGN



Solar LED Barricade Lights

- Solar Powered - No batteries Required
- Impact-Resistant yellow housing with UV stabilizers
- Available in Red or Amber 7" Lens
- Super Bright LED, 14000 +mcd light output
- 100,000 hours of LED life expectancy
- Available in 3.25 or 3.75 Version
- Can Operate up to 5 nights on a single charge
- Recharges even during cloudy weather
- Environmentally Friendly
- Solar Panel is rated at 0.4w

Available models:

- DL-MAVERICK-A (Amber)
- DL-MAVERICK-R (Red)



Battery Powered LED Barricade Lights

- Batteries Required
- Impact-Resistant yellow housing with UV stabilizers
- Available in Red or Amber 7" Lens
- Super-bright LED, 3000 - 5000mcd light output
- 100,000 hours of LED life expectancy

Available models:

- DL-3A-6V (Amber)
- DL-3R-6V (Red)